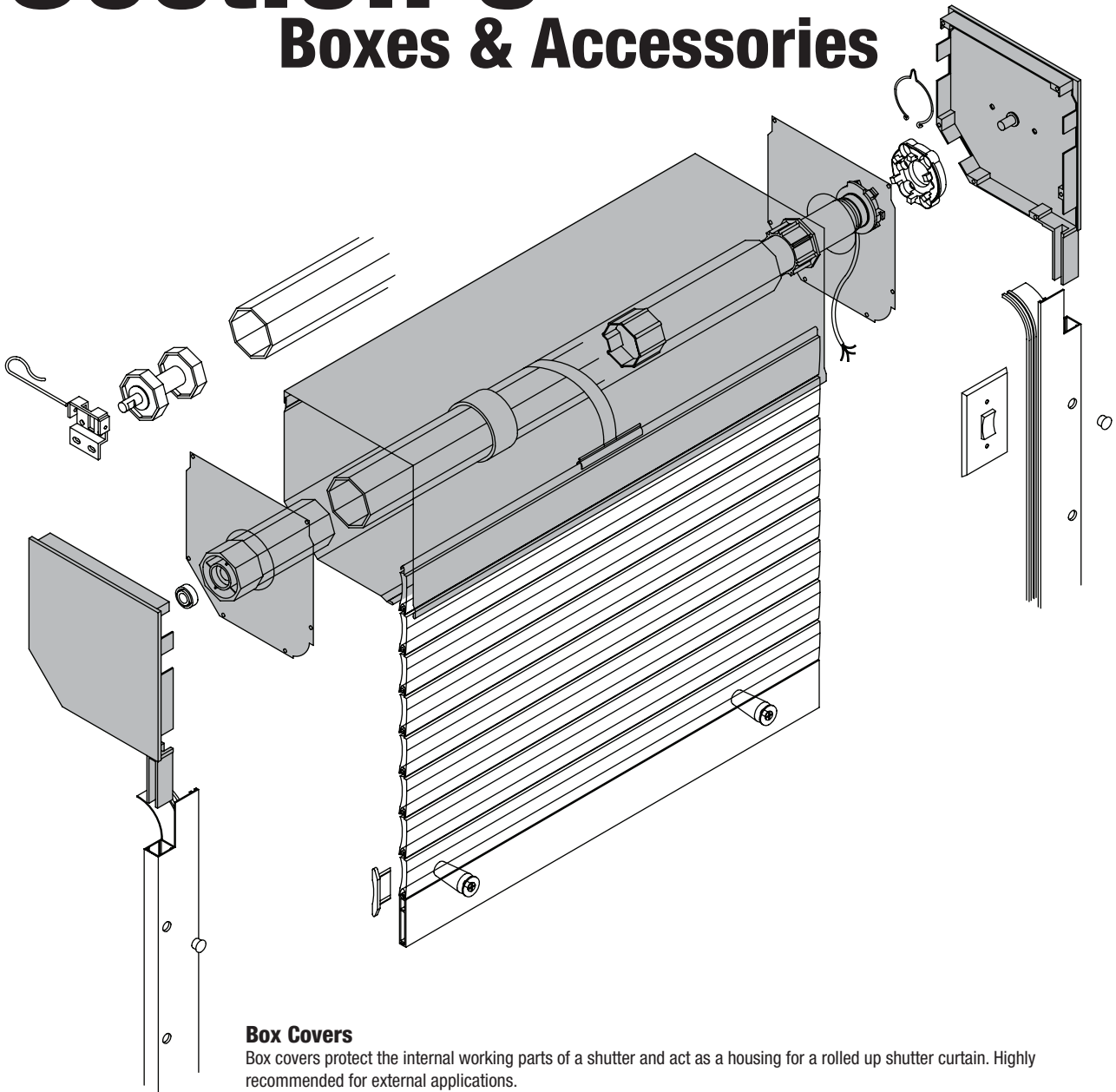


Section 3

Boxes & Accessories



Box Covers

Box covers protect the internal working parts of a shutter and act as a housing for a rolled up shutter curtain. Highly recommended for external applications.

Side Caps

Side caps connect the rails to the axle of the shutter. Choose side caps that are appropriate for the curtain rail and box cover (45 or 90 degrees).

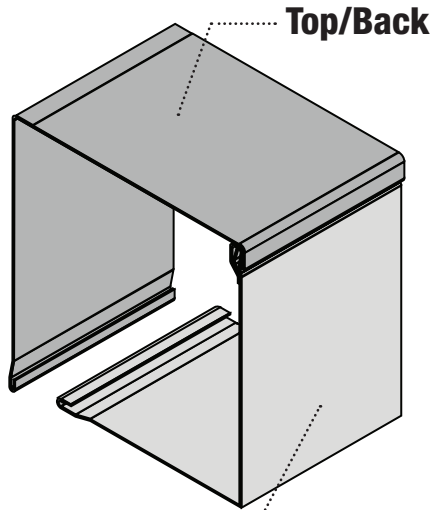
Safety Plates

Safety Plates create a barrier between the shutter curtain and the side cap. These plates prevent the curtain from sliding off the center of the track which would cause damage to slats.

Split Units

Split unit shutters are multiple shutters that run on one operator which can lower production costs of a project.

BOX COVERS 90°



Front/Bottom

**Box covers are sold in 20 ft lengths.
Custom lengths available upon request.**

**All Top-Backs can be used with 90° or
45° Front Bottoms.**

Roll Formed Aluminum Box Covers Top-Back 4.0" (100 mm / 1 mm)

Part Number	Description	Color	Unit
BC-90-100-TB-04	Top-Back (Full)	Cream	FT
BC-90-100-TB-06	Top-Back (Full)	White	FT
BC-90-100-TB-07	Top-Back (Full)	Grey	FT
BC-90-100-TB-13	Top-Back (Full)	Light Beige	FT
BC-90-100-TB-19	Top-Back (Full)	Bronze	FT
BC-90-100-TB-22	Top-Back (Full)	Dark Brown	FT

Roll Formed Aluminum Box Covers Front-Bottom 4.0" (100 mm / 1 mm) 90°

Part Number	Description	Color	Unit
BC-90-100-FB-04	Front-Bottom	Cream	FT
BC-90-100-FB-06	Front-Bottom	White	FT
BC-90-100-FB-07	Front-Bottom	Grey	FT
BC-90-100-FB-13	Front-Bottom	Light Beige	FT
BC-90-100-FB-19	Front-Bottom	Bronze	FT
BC-90-100-FB-22	Front-Bottom	Dark Brown	FT

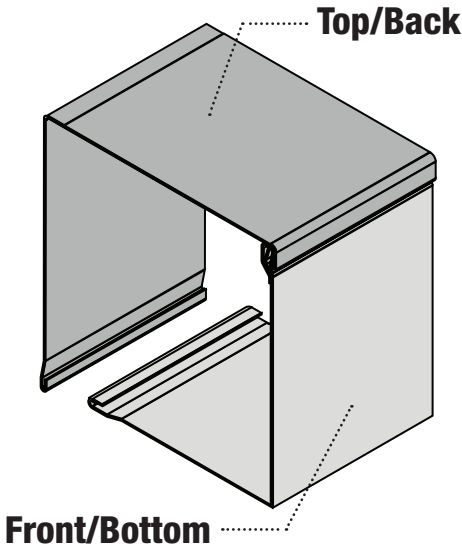
Roll Formed Aluminum Box Covers Top-Back 5.0" (125 mm / 1 mm)

Part Number	Description	Color	Unit
BC-90-125-TB-04	Top-Back (Full)	Cream	FT
BC-90-125-TB-06	Top-Back (Full)	White	FT
BC-90-125-TB-07	Top-Back (Full)	Grey	FT
BC-90-125-TB-13	Top-Back (Full)	Light Beige	FT
BC-90-125-TB-19	Top-Back (Full)	Bronze	FT
BC-90-125-TB-22	Top-Back (Full)	Dark Brown	FT

Roll Formed Aluminum Box Covers Front-Bottom 5.0" (125 mm / 1 mm) 90°

Part Number	Description	Color	Unit
BC-90-125-FB-04	Front-Bottom	Cream	FT
BC-90-125-FB-06	Front-Bottom	White	FT
BC-90-125-FB-07	Front-Bottom	Grey	FT
BC-90-125-FB-13	Front-Bottom	Light Beige	FT
BC-90-125-FB-19	Front-Bottom	Bronze	FT
BC-90-125-FB-22	Front-Bottom	Dark Brown	FT

BOX COVERS 90°



Box covers are sold in 20 ft lengths

Roll Formed Aluminum Box Covers Top-Back 5.5" (137 mm / 1 mm)

Part Number	Description	Color	Unit
BC-90-137-TB-04	Top-Back (Full)	Cream	FT
BC-90-137-TB-06	Top-Back (Full)	White	FT
BC-90-137-TB-07	Top-Back (Full)	Grey	FT
BC-90-137-TB-13	Top-Back (Full)	Light Beige	FT
BC-90-137-TB-19	Top-Back (Full)	Bronze	FT
BC-90-137-TB-22	Top-Back (Full)	Dark Brown	FT
BC-90-137-TB-27	Top-Back (Full)	Arcona Beige	FT

Roll Formed Aluminum Box Covers Front-Bottom 5.5" (137 mm / 1 mm) 90°

Part Number	Description	Color	Unit
BC-90-137-FB-04	Front-Bottom	Cream	FT
BC-90-137-FB-06	Front-Bottom	White	FT
BC-90-137-FB-07	Front-Bottom	Grey	FT
BC-90-137-FB-13	Front-Bottom	Light Beige	FT
BC-90-137-FB-19	Front-Bottom	Bronze	FT
BC-90-137-FB-22	Front-Bottom	Dark Brown	FT
BC-90-137-FB-27	Front-Bottom	Arcona Beige	FT

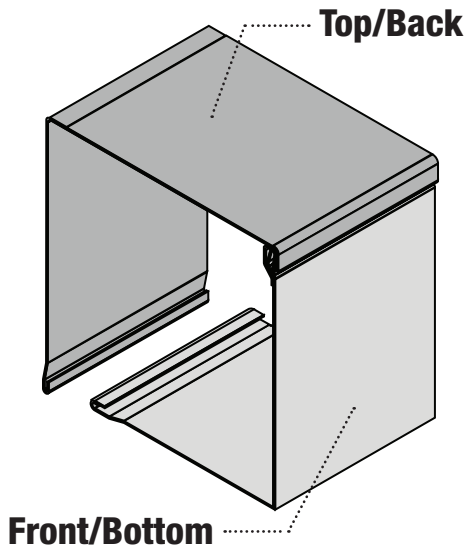
Roll Formed Aluminum Box Covers Top-Back 6.0" (150 mm / 1 mm)

Part Number	Description	Color	Unit
BC-90-150-TB-04	Top-Back (Full)	Cream	FT
BC-90-150-TB-06	Top-Back (Full)	White	FT
BC-90-150-TB-07	Top-Back (Full)	Grey	FT
BC-90-150-TB-13	Top-Back (Full)	Light Beige	FT
BC-90-150-TB-19	Top-Back (Full)	Bronze	FT
BC-90-150-TB-22	Top-Back (Full)	Dark Brown	FT
BC-90-150-TB-27	Top-Back (Full)	Arcona Beige	FT

Roll Formed Aluminum Box Covers 6.0" (150 mm / 1 mm) 90°

Part Number	Description	Color	Unit
BC-90-150-FB-04	Front-Bottom	Cream	FT
BC-90-150-FB-06	Front-Bottom	White	FT
BC-90-150-FB-07	Front-Bottom	Grey	FT
BC-90-150-FB-13	Front-Bottom	Light Beige	FT
BC-90-150-FB-19	Front-Bottom	Bronze	FT
BC-90-150-FB-22	Front-Bottom	Dark Brown	FT
BC-90-150-FB-27	Front-Bottom	Arcona Beige	FT

BOX COVERS 90°



Box covers are sold in 20 ft lengths

Roll Formed Aluminum Box Covers 6.5" Top-Back (165 mm / 1 mm)

Part Number	Description	Color	Unit
BC-90-165-TB-04	Top-Back (Full)	Cream	FT
BC-90-165-TB-06	Top-Back (Full)	White	FT
BC-90-165-TB-07	Top-Back (Full)	Grey	FT
BC-90-165-TB-13	Top-Back (Full)	Light Beige	FT
BC-90-165-TB-19	Top-Back (Full)	Bronze	FT
BC-90-165-TB-22	Top-Back (Full)	Dark Brown	FT
BC-90-165-TB-27	Top-Back (Full)	Arcona Beige	FT

Roll Formed Aluminum Box Covers 6.5" Front-Bottom (165 mm / 1 mm) 90°

Part Number	Description	Color	Unit
BC-90-165-FB-04	Front-Bottom	Cream	FT
BC-90-165-FB-06	Front-Bottom	White	FT
BC-90-165-FB-07	Front-Bottom	Grey	FT
BC-90-165-FB-13	Front-Bottom	Light Beige	FT
BC-90-165-FB-19	Front-Bottom	Bronze	FT
BC-90-165-FB-22	Front-Bottom	Dark Brown	FT
BC-90-165-FB-27	Front-Bottom	Arcona Beige	FT

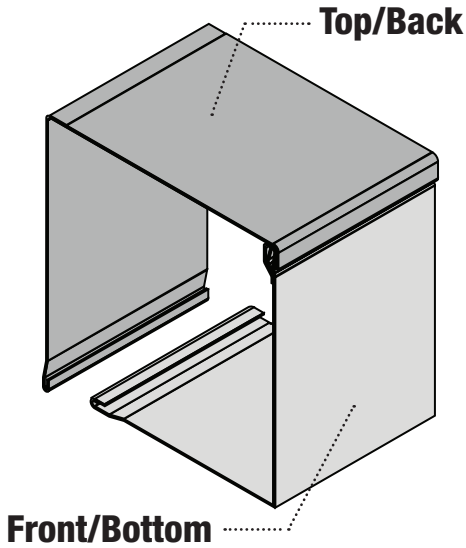
Roll Formed Aluminum Box Covers Top-Back 7.0" (180 mm / 1 mm)

Part Number	Description	Color	Unit
BC-90-180-TB-04	Top-Back (Full)	Cream	FT
BC-90-180-TB-06	Top-Back (Full)	White	FT
BC-90-180-TB-07	Top-Back (Full)	Grey	FT
BC-90-180-TB-13	Top-Back (Full)	Light Beige	FT
BC-90-180-TB-19	Top-Back (Full)	Bronze	FT
BC-90-180-TB-22	Top-Back (Full)	Dark Brown	FT
BC-90-180-TB-27	Top-Back (Full)	Arcona Beige	FT
BC-90-180-TB-14	Top-Back (Full)	Metallic	FT

Roll Formed Aluminum Box Covers 7.0" Front - Bottom (180 mm / 1 mm) 90°

Part Number	Description	Color	Unit
BC-90-180-FB-04	Front-Bottom	Cream	FT
BC-90-180-FB-06	Front-Bottom	White	FT
BC-90-180-FB-07	Front-Bottom	Grey	FT
BC-90-180-FB-13	Front-Bottom	Light Beige	FT
BC-90-180-FB-19	Front-Bottom	Bronze	FT
BC-90-180-FB-22	Front-Bottom	Dark Brown	FT
BC-90-180-FB-27	Front-Bottom	Arcona Beige	FT
BC-90-180-FB-14	Front-Bottom	Metallic	FT

BOX COVERS 90°



Box covers are sold in 20 ft lengths

Roll Formed Aluminum Box Covers Top-Back 8.0" (205 mm / 1 mm)

Part Number	Description	Color	Unit
BC-90-205-TB-04	Top-Back (Full)	Cream	FT
BC-90-205-TB-06	Top-Back (Full)	White	FT
BC-90-205-TB-07	Top-Back (Full)	Grey	FT
BC-90-205-TB-13	Top-Back (Full)	Light Beige	FT
BC-90-205-TB-19	Top-Back (Full)	Bronze	FT
BC-90-205-TB-22	Top-Back (Full)	Dark Brown	FT
BC-90-205-TB-27	Top-Back (Full)	Arcona Beige	FT
BC-90-205-TB-14	Top-Back (Full)	Metallic	FT

Roll Formed Aluminum Box Covers Front-Bottom 8.0" (205 mm / 1 mm) 90°

Part Number	Description	Color	Unit
BC-90-205-FB-04	Front-Bottom	Cream	FT
BC-90-205-FB-06	Front-Bottom	White	FT
BC-90-205-FB-07	Front-Bottom	Grey	FT
BC-90-205-FB-13	Front-Bottom	Light Beige	FT
BC-90-205-FB-19	Front-Bottom	Bronze	FT
BC-90-205-FB-22	Front-Bottom	Dark Brown	FT
BC-90-205-FB-27	Front-Bottom	Arcona Beige	FT
BC-90-205-FB-14	Front-Bottom	Metallic	FT

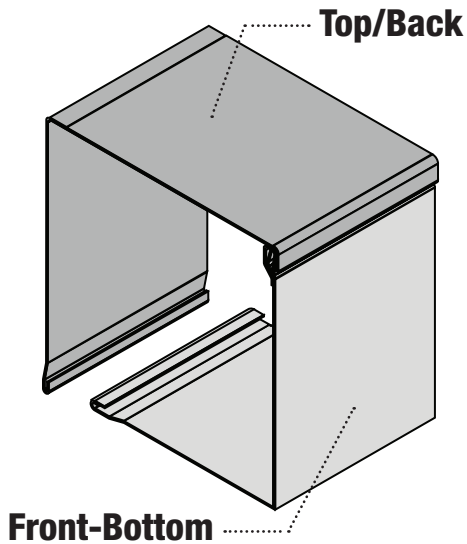
Roll Formed Aluminum Box Covers Top-Back 9.0" (230 mm / 1 mm) 90°

Part Number	Description	Color	Unit
BC-90-230-TB-04	Top-Back (Full)	Cream	FT
BC-90-230-TB-06	Top-Back (Full)	White	FT
BC-90-230-TB-07	Top-Back (Full)	Grey	FT
BC-90-230-TB-13	Top-Back (Full)	Light Beige	FT
BC-90-230-TB-19	Top-Back (Full)	Bronze	FT
BC-90-230-TB-22	Top-Back (Full)	Dark Brown	FT
BC-90-230-TB-27	Top-Back (Full)	Arcona Beige	FT

Roll Formed Aluminum Box Covers Front-Bottom 9.0" (230 mm / 1 mm) 90°

Part Number	Description	Color	Unit
BC-90-230-FB-04	Front-Bottom	Cream	FT
BC-90-230-FB-06	Front-Bottom	White	FT
BC-90-230-FB-07	Front-Bottom	Grey	FT
BC-90-230-FB-13	Front-Bottom	Light Beige	FT
BC-90-230-FB-19	Front-Bottom	Bronze	FT
BC-90-230-FB-22	Front-Bottom	Dark Brown	FT
BC-90-230-FB-27	Front-Bottom	Arcona Beige	FT

BOX COVERS 90°



Box covers are sold in 20 ft lengths

Roll Formed Aluminum Box Covers Top-Back 10.0" (250 mm / 1 mm)

Part Number	Description	Color	Unit
BC-90-250-TB-04	Top-Back (Full)	Cream	FT
BC-90-250-TB-06	Top-Back (Full)	White	FT
BC-90-250-TB-07	Top-Back (Full)	Grey	FT
BC-90-250-TB-13	Top-Back (Full)	Light Beige	FT
BC-90-250-TB-19	Top-Back (Full)	Bronze	FT
BC-90-250-TB-22	Top-Back (Full)	Dark Brown	FT
BC-90-250-TB-27	Top-Back (Full)	Arcona Beige	FT
BC-90-250-TB-14	Top-Back (Full)	Metallic	FT

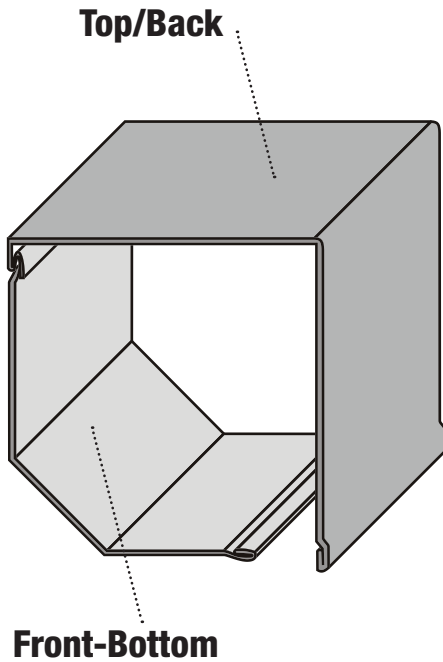
Roll Formed Aluminum Box Covers Front-Bottom 10.0" (250 mm / 1 mm) 90°

Part Number	Description	Color	Unit
BC-90-250-FB-04	Front-Bottom	Cream	FT
BC-90-250-FB-06	Front-Bottom	White	FT
BC-90-250-FB-07	Front-Bottom	Grey	FT
BC-90-250-FB-13	Front-Bottom	Light Beige	FT
BC-90-250-FB-19	Front-Bottom	Bronze	FT
BC-90-250-FB-22	Front-Bottom	Dark Brown	FT
BC-90-250-FB-27	Front-Bottom	Arcona Beige	FT
BC-90-250-TB-14	Top-Back (Full)	Metallic	FT

Roll Formed Aluminum Box Covers Top-Back 12.0" (300 mm / 1 mm)

Part Number	Description	Color	Unit
BC-90-300-TB-04	Top-Back (Full)	Cream	FT
BC-90-300-TB-06	Top-Back (Full)	White	FT
BC-90-300-TB-07	Top-Back (Full)	Grey	FT
BC-90-300-TB-13	Top-Back (Full)	Light Beige	FT
BC-90-300-TB-19	Top-Back (Full)	Bronze	FT
BC-90-300-TB-22	Top-Back (Full)	Dark Brown	FT
BC-90-300-TB-27	Top-Back (Full)	Arcona Beige	FT

BOX COVERS 45°



Roll Formed Aluminum Box Covers 5.0" Front-Bottom (125 mm / 1 mm)

Part Number	Description	Color	Unit
BC-45-125-FB-04	Front-Bottom	Cream	FT
BC-45-125-FB-06	Front-Bottom	White	FT
BC-45-125-FB-07	Front-Bottom	Grey	FT
BC-45-125-FB-13	Front-Bottom	Light Beige	FT
BC-45-125-FB-19	Front-Bottom	Bronze	FT
BC-45-125-FB-22	Front-Bottom	Dark Brown	FT

Roll Formed Aluminum Box Covers 5.5" Front-Bottom (137 mm / 1 mm)

Part Number	Description	Color	Unit
BC-45-137-FB-04	Front-Bottom	Cream	FT
BC-45-137-FB-06	Front-Bottom	White	FT
BC-45-137-FB-07	Front-Bottom	Grey	FT
BC-45-137-FB-13	Front-Bottom	Light Beige	FT
BC-45-137-FB-19	Front-Bottom	Bronze	FT
BC-45-137-FB-22	Front-Bottom	Dark Brown	FT
BC-45-137-FB-27	Front-Bottom	Arcona Beige	FT

Roll Formed Aluminum Box Covers 6.0" Front-Bottom (150 mm / 1 mm)

Part Number	Description	Color	Unit
BC-45-150-FB-04	Front-Bottom	Cream	FT
BC-45-150-FB-06	Front-Bottom	White	FT
BC-45-150-FB-07	Front-Bottom	Grey	FT
BC-45-150-FB-13	Front-Bottom	Light Beige	FT
BC-45-150-FB-19	Front-Bottom	Bronze	FT
BC-45-150-FB-22	Front-Bottom	Dark Brown	FT
BC-45-150-FB-27	Front-Bottom	Arcona Beige	FT

Roll Formed Aluminum Box Covers 6.5" Front-Bottom (165 mm / 1 mm)

Part Number	Description	Color	Unit
BC-45-165-FB-04	Front-Bottom	Cream	FT
BC-45-165-FB-06	Front-Bottom	White	FT
BC-45-165-FB-07	Front-Bottom	Grey	FT
BC-45-165-FB-13	Front-Bottom	Light Beige	FT
BC-45-165-FB-19	Front-Bottom	Bronze	FT
BC-45-165-FB-22	Front-Bottom	Dark Brown	FT
BC-45-165-FB-27	Front-Bottom	Arcona Beige	FT

Roll Formed Aluminum Box Covers 7.0" Front-Bottom (180 mm / 1 mm)

Part Number	Description	Color	Unit
BC-45-180-FB-04	Front-Bottom	Cream	FT
BC-45-180-FB-06	Front-Bottom	White	FT
BC-45-180-FB-07	Front-Bottom	Grey	FT
BC-45-180-FB-13	Front-Bottom	Light Beige	FT
BC-45-180-FB-19	Front-Bottom	Bronze	FT
BC-45-180-FB-22	Front-Bottom	Dark Brown	FT
BC-45-180-FB-27	Front-Bottom	Arcona Beige	FT
BC-45-180-FB-14	Front-Bottom	Metallic	FT

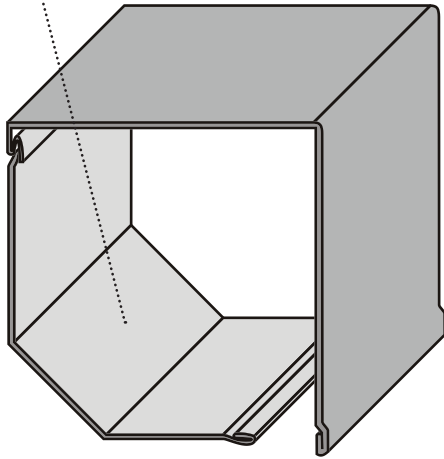
Box covers are sold in 20 ft lengths.

Custom lengths available upon request.

All 45° front bottoms require a 90° top back, see pages 3.2-3.6 for top backs.

BOX COVERS 45°

Front/Bottom



45° Front/Bottom covers are sold with the 90° Top/Backs.

Box covers are sold in 20 ft lengths

Roll Formed Aluminum Box Covers 8.0" Front-Bottom (205 mm / 1 mm)

Part Number	Description	Color	Unit
BC-45-205-FB-04	Front-Bottom	Cream	FT
BC-45-205-FB-06	Front-Bottom	White	FT
BC-45-205-FB-07	Front-Bottom	Grey	FT
BC-45-205-FB-13	Front-Bottom	Light Beige	FT
BC-45-205-FB-19	Front-Bottom	Bronze	FT
BC-45-205-FB-22	Front-Bottom	Dark Brown	FT
BC-45-205-FB-27	Front-Bottom	Arcona Beige	FT
BC-45-205-FB-14	Front-Bottom	Metallic	FT

Roll Formed Aluminum Box Covers 9.0" Front-Bottom (230 mm / 1 mm)

Part Number	Description	Color	Unit
BC-45-230-FB-04	Front-Bottom	Cream	FT
BC-45-230-FB-06	Front-Bottom	White	FT
BC-45-230-FB-07	Front-Bottom	Grey	FT
BC-45-230-FB-13	Front-Bottom	Light Beige	FT
BC-45-230-FB-19	Front-Bottom	Bronze	FT
BC-45-230-FB-22	Front-Bottom	Dark Brown	FT
BC-45-230-FB-27	Front-Bottom	Arcona Beige	FT

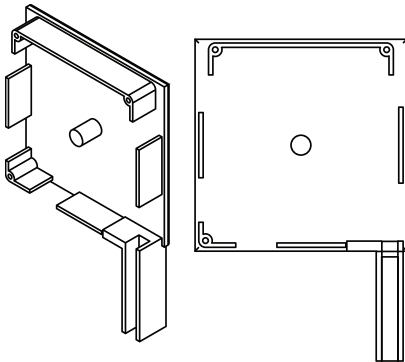
Roll Formed Aluminum Box Covers 10.0" Front-Bottom (250 mm / 1 mm)

Part Number	Description	Color	Unit
BC-45-250-FB-04	Front-Bottom	Cream	FT
BC-45-250-FB-06	Front-Bottom	White	FT
BC-45-250-FB-07	Front-Bottom	Grey	FT
BC-45-250-FB-13	Front-Bottom	Light Beige	FT
BC-45-250-FB-19	Front-Bottom	Bronze	FT
BC-45-250-FB-22	Front-Bottom	Dark Brown	FT
BC-45-250-FB-27	Front-Bottom	Arcona Beige	FT
BC-45-250-FB-14	Front-Bottom	Metallic	FT

Roll Formed Aluminum Box Covers 12.0" (300 mm / 1 mm)

Part Number	Description	Color	Unit
BC-45-300-FB-04	Front-Bottom	Cream	FT
BC-45-300-FB-06	Front-Bottom	White	FT
BC-45-300-FB-07	Front-Bottom	Grey	FT
BC-45-300-FB-13	Front-Bottom	Light Beige	FT
BC-45-300-FB-19	Front-Bottom	Bronze	FT
BC-45-300-FB-22	Front-Bottom	Dark Brown	FT
BC-45-300-FB-27	Front-Bottom	Arcona Beige	FT

SIDE CAPS 90° - SHORT LEG



Sold as 25 pairs per box.

Side Caps 4.0"/100 mm BK 90-100 (90°)

Part Number	Color	Unit
3296-SCAP-04-AL	Cream	PR
3297-SCAP-06-AL	White	PR
3298-SCAP-07-AL	Grey	PR
3299-SCAP-13-AL	Light Beige	PR
3300-SCAP-19-AL	Bronze	PR
3301-SCAP-22-AL	Dark Brown	PR
3302-SCAP-23-AL	Mill Finish	PR

Side Caps 5.0"/125 mm BK 90-125 (90°)

Part Number	Color	Unit
3303-SCAP-04-AL	Cream	PR
3304-SCAP-07-AL	Grey	PR
3305-SCAP-13-AL	Light Beige	PR
3306-SCAP-06-AL	White	PR
3307-SCAP-19-AL	Bronze	PR
3308-SCAP-22-AL	Dark Brown	PR
3309-SCAP-23-AL	Mill Finish	PR

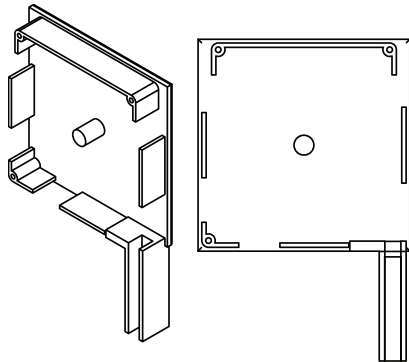
Side Caps 5.5"/137 mm BK 90-137 (90°)

Part Number	Color	Unit
3310-SCAP-07-AL	Grey	PR
3311-SCAP-04-AL	Cream	PR
3312-SCAP-06-AL	White	PR
3313-SCAP-23-AL	Mill Finish	PR
3314-SCAP-13-AL	Light Beige	PR
3315-SCAP-19-AL	Bronze	PR
3316-SCAP-22-AL	Dark Brown	PR
3288-SCAP-27-AL	Arcona Beige	PR

Side Caps 6.0"/150 mm BK 90-150 (90°)

Part Number	Color	Unit
3317-SCAP-04-AL	Cream	PR
3318-SCAP-06-AL	White	PR
3319-SCAP-07-AL	Grey	PR
3320-SCAP-19-AL	Bronze	PR
3321-SCAP-13-AL	Light Beige	PR
3322-SCAP-22-AL	Dark Brown	PR
3323-SCAP-23-AL	Mill Finish	PR
3409-SCAP-27-AL	Arcona Beige	PR

SIDE CAPS 90° - SHORT LEG



Short leg side caps

Side Caps 6.5"/165 mm BK 90-165 (90°)

Part Number	Color	Unit
3324-SCAP-04-AL	Cream	PR
3325-SCAP-06-AL	White	PR
3326-SCAP-07-AL	Grey	PR
3327-SCAP-13-AL	Light Beige	PR
3328-SCAP-22-AL	Dark Brown	PR
3407-SCAP-19-AL	Bronze	PR
3408-SCAP-23-AL	Mill Finish	PR
3354-SCAP-27-AL	Arcona Beige	PR

Sold as 25 pairs per box.

Side Caps 7.0"/180 mm BK 90-180 (90°)

Part Number	Color	Unit
3329-SCAP-04-AL	Cream	PR
3330-SCAP-06-AL	White	PR
3331-SCAP-07-AL	Grey	PR
3332-SCAP-13-AL	Light Beige	PR
3333-SCAP-19-AL	Bronze	PR
3334-SCAP-22-AL	Dark Brown	PR
3335-SCAP-23-AL	Mill Finish	PR
3355-SCAP-27-AL	Arcona Beige	PR
3362-SCAP-14-AL	Metallic	PR

Sold as 25 pairs per box.

Side Caps 8.0"/205 mm BK 90-205 (90°)

Part Number	Color	Unit
3336-SCAP-04-AL	Cream	PR
3337-SCAP-06-AL	White	PR
3340-SCAP-07-AL	Grey	PR
3341-SCAP-19-AL	Bronze	PR
3342-SCAP-13-AL	Light Beige	PR
3343-SCAP-22-AL	Dark Brown	PR
3344-SCAP-23-AL	Mill Finish	PR
3356-SCAP-27-AL	Arcona Beige	PR
3363-SCAP-14-AL	Metallic	PR

Sold as 15 pairs per box.

Side Caps 9.0"/230 mm BK 90-230 (90°)

Part Number	Color	Unit
3432-SCAP-04-AL	Cream	PR
3433-SCAP-07-AL	Grey	PR
3434-SCAP-13-AL	Light Beige	PR
3435-SCAP-23-AL	Mill Finish	PR
3436-SCAP-06-AL	White	PR
3437-SCAP-19-AL	Bronze	PR
3438-SCAP-22-AL	Dark Brown	PR
3462-SCAP-27-AL	Arcona Beige	PR

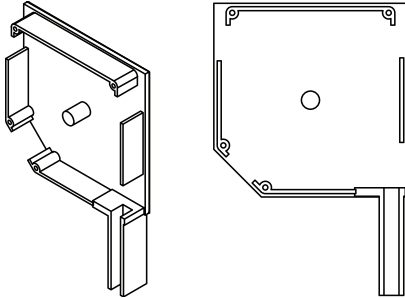
Sold as 8 pairs per box.

Side Caps 10.0"/250 mm BK 90-250 (90°)

Part Number	Color	Unit
3346-SCAP-04-AL	Cream	PR
3348-SCAP-06-AL	White	PR
3349-SCAP-07-AL	Grey	PR
3350-SCAP-19-AL	Bronze	PR
3351-SCAP-13-AL	Light Beige	PR
3352-SCAP-22-AL	Dark Brown	PR
3353-SCAP-23-AL	Mill Finish	PR
3347-SCAP-27-AL	Arcona Beige	PR
3364-SCAP-14-AL	Metallic	PR

Sold as 8 pairs per box.

SIDE CAPS 45° - SHORT LEG



Sold as 25 pairs per box.

Side Caps 5.0"/125 mm BK 45-125 (45°)

Part Number	Color	Unit
3234-SCAP-04-AL	Cream	PR
3236-SCAP-06-AL	White	PR
3238-SCAP-07-AL	Grey	PR
3239-SCAP-13-AL	Light Beige	PR
3240-SCAP-19-AL	Bronze	PR
3241-SCAP-22-AL	Dark Brown	PR
3242-SCAP-23-AL	Mill Finish	PR
3260-SCAP-27-AL	Arcona Beige	PR

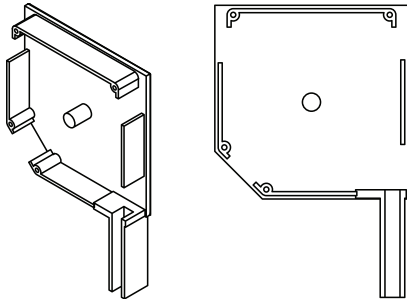
Side Caps 5.5"/137 mm BK 45-137 (45°)

Part Number	Color	Unit
3243-SCAP-07-AL	Grey	PR
3244-SCAP-23-AL	Mill Finish	PR
3245-SCAP-19-AL	Bronze	PR
3246-SCAP-04-AL	Cream	PR
3247-SCAP-13-AL	Light Beige	PR
3248-SCAP-06-AL	White	PR
3249-SCAP-22-AL	Dark Brown	PR
3255-SCAP-27-AL	Arcona Beige	PR

Side Caps 6.0"/150 mm BK 45-150 (45°)

Part Number	Color	Unit
3250-SCAP-04-AL	Cream	PR
3252-SCAP-06-AL	White	PR
3254-SCAP-07-AL	Grey	PR
3256-SCAP-13-AL	Light Beige	PR
3257-SCAP-19-AL	Bronze	PR
3258-SCAP-22-AL	Dark Brown	PR
3259-SCAP-23-AL	Mill Finish	PR
3251-SCAP-27-AL	Arcona Beige	PR

SIDE CAPS 45° - SHORT LEG



Note:
Standard 10" and 12" side caps are slightly different and therefore on the following page.

Side Caps 6.5"/165 mm BK 45-165 (45°)

Part Number	Color	Unit
3397-SCAP-04-AL	Cream	PR
3398-SCAP-06-AL	White	PR
3399-SCAP-07-AL	Grey	PR
3400-SCAP-13-AL	Light Beige	PR
3401-SCAP-22-AL	Dark Brown	PR
3402-SCAP-19-AL	Bronze	PR
3403-SCAP-23-AL	Mill Finish	PR
3357-SCAP-27-AL	Arcona Beige	PR

Sold as 25 pairs per box.

Side Caps 7.0"/180 mm BK 45-180 (45°)

Part Number	Color	Unit
3391-SCAP-19-AL	Bronze	PR
3392-SCAP-04-AL	Cream	PR
3393-SCAP-06-AL	White	PR
3394-SCAP-07-AL	Grey	PR
3395-SCAP-13-AL	Lt. Beige	PR
3396-SCAP-22-AL	Dark Brown	PR
3404-SCAP-23-AL	Mill Finish	PR
3358-SCAP-27-AL	Arcona Beige	PR
3449-SCAP-14-AL	Metallic	PR

Sold as 25 pairs per box.

Side Caps 8.0"/205 mm BK 45-205 (45°)

Part Number	Color	Unit
3384-SCAP-23-AL	Mill Finish	PR
3385-SCAP-04-AL	Cream	PR
3386-SCAP-06-AL	White	PR
3387-SCAP-07-AL	Grey	PR
3388-SCAP-13-AL	Lt. Beige	PR
3389-SCAP-22-AL	Dark Brown	PR
3390-SCAP-19-AL	Bronze	PR
3359-SCAP-27-AL	Arcona Beige	PR
3360-SCAP-14-AL	Metallic	PR

Sold as 15 pairs per box.

Side Caps 9.0"/230 mm BK 45-230 (45°)

Part Number	Color	Unit
3279-SCAP-04-AL	Cream	PR
3280-SCAP-19-AL	Bronze	PR
3281-SCAP-06-AL	White	PR
3282-SCAP-07-AL	Grey	PR
3283-SCAP-13-AL	Light Beige	PR
3285-SCAP-22-AL	Dark Brown	PR
3286-SCAP-23-AL	Mill Finish	PR
3463-SCAP-27-AL	Arcona Beige	PR

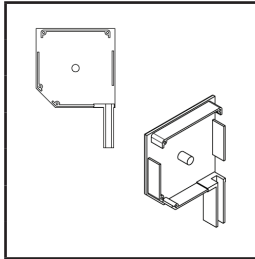
Sold as 9 pairs per box.

Side Caps 10"/250 mm RV 45 With Short Leg (45°)

Part Number	Color	Unit
3424-SCAP-04-AL	Cream	PR
3425-SCAP-06-AL	White	PR
3426-SCAP-07-AL	Grey	PR
3427-SCAP-13-AL	Lt. Beige	PR
3428-SCAP-19-AL	Bronze	PR
3429-SCAP-22-AL	Dark Brown	PR
3430-SCAP-23-AL	Mill Finish	PR
3441-SCAP-27-AL	Arcona Beige	PR
3461-SCAP-14-AL	Metallic	PR

SIDE CAPS 45° - LARGE LEG

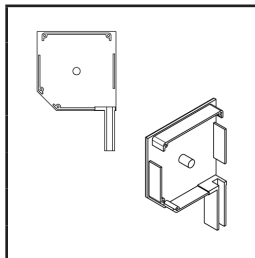
Side Caps 8"/205 GKSE 45° with Large Leg



Sold as 12 Pairs per Box

Part Number	Description	Color	Unit
3450-SCAP-04-AL		Cream	PR
3451-SCAP-06-AL		White	PR
3452-SCAP-13-AL		Lt. Beige	PR
3453-SCAP-22-AL		Dark Brown	PR

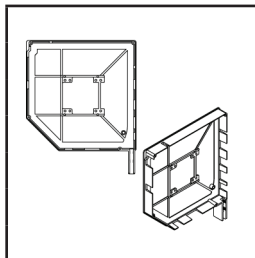
Side Caps 9"/230 GKSE 45° with Large Leg



Sold as 12 Pairs per Box

Part Number	Description	Color	Unit
3455-SCAP-04-AL		Cream	PR
3456-SCAP-06-AL		White	PR
3457-SCAP-13-AL		Lt. Beige	PR
3458-SCAP-22-AL		Dark Brown	PR

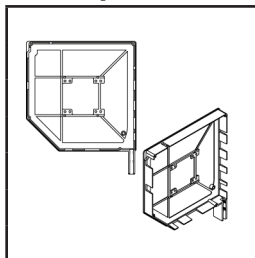
Side Caps 10.0"/250 mm BK 45-250S (45°) / Large Leg



Sold as 6 Pairs per Box

Part Number	Description	Color	Unit
3377-SCAP-04-AL		Cream	PR
3378-SCAP-19-AL		Bronze	PR
3379-SCAP-06-AL		White	PR
3380-SCAP-07-AL		Grey	PR
3381-SCAP-13-AL		Light Beige	PR
3382-SCAP-22-AL		Dark Brown	PR
3383-SCAP-23-AL		Mill Finish	PR
3376-SCAP-27-AL		Arcona Beige	PR
3361-SCAP-14-AL		Metallic	PR

Side Caps 12.0"/300 mm BK 45-300S (45°)

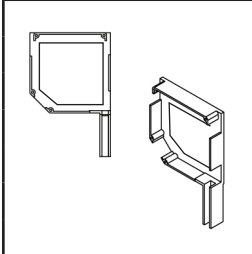


Sold as 6 Pairs per Box

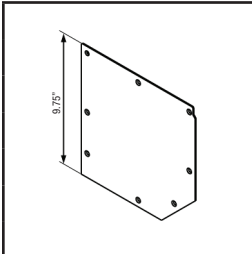
Part Number	Description	Color	Unit
3369-SCAP-04-AL		Cream	PR
3370-SCAP-06-AL		White	PR
3371-SCAP-19-AL		Bronze	PR
3372-SCAP-07-AL		Grey	PR
3373-SCAP-13-AL		Light Beige	PR
3374-SCAP-23-AL		Mill Finish	PR
3461-SCAP-27-AL		Arcona Beige	PR
3375-SCAP-22-AL		Dark Brown	PR

GALVANIZED STEEL SIDE CAPS

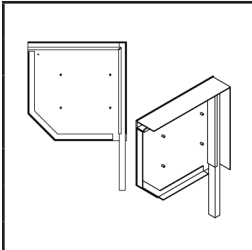
Galvanized Steel Side Caps With Entry Guides And Cover Plates

	Part Number	Description	Color	Unit
	3459-SCAP-23-ST	Sidecap RV45 (Millfinish) 10"/250mm	Blk Galv Finish	Pair
	3460-SCAP-23-ST	Sidecap RV45 (Millfinish) 12"/300mm	Blk Galv Finish	Pair

For 10" & 12" Steel Sidecap and Cover Plates

	Part Number	Description	Color	Unit
	3725-SFPL-00-ST	Cover plate f/S-Cap RV45-10"/250 mm	Mill Finish	EA
	3726-SFPL-00-ST	Cover plate f/S-Cap RV45-12"/300 mm	Mill Finish	EA
	Use with Above Steel Side Caps			

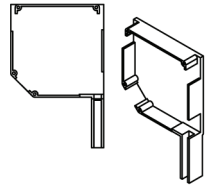
Side Caps 14.0"/360 mm BK 45-360 (45°)

	Part Number	Description	Color	Unit
	3411-SCAP-06-AL	Galvanized Steel	White	PR
	3412-SCAP-07-AL	Galvanized Steel	Grey	PR

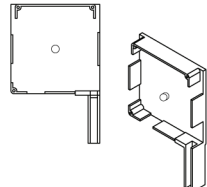
Sold as 2 Pairs per Box

SPLIT UNIT SIDE CAPS

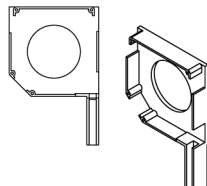
Side Caps Without Ledge - BK SIDE CAPS (45°)

	Part Number	Description	Color	Unit
	3511-SCAP-23-AL	5.0"/125 mm with short leg	Mill Finish	PR
3512-SCAP-23-AL	5.5"/137 mm with short leg	Mill Finish	PR	
3513-SCAP-23-AL	6.0"/150 mm with short leg	Mill Finish	PR	
3514-SCAP-23-AL	6.5"/165 mm with short leg	Mill Finish	PR	
3515-SCAP-23-AL	7.0"/180 mm with short leg	Mill Finish	PR	
3516-SCAP-23-AL	8.0"/205 mm with short leg	Mill Finish	PR	
3517-SCAP-23-AL	9.0"/230 mm with short leg	Mill Finish	PR	
3518-SCAP-23-AL	10.0"/250 mm with short leg	Mill Finish	PR	
3529-SCAP-23-AL	10.0"/250 mm with large leg	Mill Finish	PR	
3519-SCAP-23-AL	12.0"/300 mm with large leg	Mill Finish	PR	

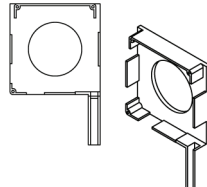
Side Caps Without Ledge - BK Side Caps (90°)

	Part Number	Description	Color	Unit
	3520-SCAP-23-AL	4.0"/100 mm with short leg	Mill Finish	PR
3521-SCAP-23-AL	5.0"/125 mm with short leg	Mill Finish	PR	
3522-SCAP-23-AL	5.5"/137 mm with short leg	Mill Finish	PR	
3523-SCAP-23-AL	6.0"/150 mm with short leg	Mill Finish	PR	
3524-SCAP-23-AL	6.5"/165 mm with short leg	Mill Finish	PR	
3525-SCAP-23-AL	7.0"/180 mm with short leg	Mill Finish	PR	
3526-SCAP-23-AL	8.0"/205mm with short leg	Mill Finish	PR	
3527-SCAP-23-AL	9.0"/230 mm with short leg	Mill Finish	PR	
3528-SCAP-23-AL	10.0"/250 mm with short leg	Mill Finish	PR	

Side Caps 45° With 72 mm or 92 mm Hole Through Center Without Ledge

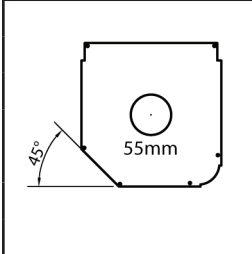
	Part Number	Description	Color	Unit
	3531-SCAP-23-AL	5"/125 mm with short leg	Mill Finish	PR
3532-SCAP-23-AL	5.5"/137 mm with short leg	Mill Finish	PR	
3533-SCAP-23-AL	6"/150 mm with short leg	Mill Finish	PR	
3534-SCAP-23-AL	6.5"/165 mm with short leg	Mill Finish	PR	
3535-SCAP-23-AL	7"/180 mm with short leg	Mill Finish	PR	
3536-SCAP-23-AL	8"/205 mm with short leg	Mill Finish	PR	
3537-SCAP-23-AL	9"/230 mm with short leg	Mill Finish	PR	
3538-SCAP-23-AL	10"/250 mm with short leg	Mill Finish	PR	
3549-SCAP-23-AL	10.0"/250 mm with short leg	Mill Finish	PR	
3539-SCAP-23-AL	12"/300 mm with large leg	Mill Finish	PR	

Side Caps 90° With 72 mm or 92 mm Hole Through Center Without Ledge

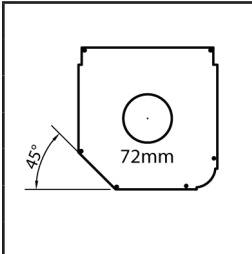
	Part Number	Description	Color	Unit
	3540-SCAP-23-AL	4"/100 mm with short leg	Mill Finish	PR
3541-SCAP-23-AL	5"/125 mm with short leg	Mill Finish	PR	
3542-SCAP-23-AL	5.5"/137 mm with short leg	Mill Finish	PR	
3543-SCAP-23-AL	6"/150 mm with short leg	Mill Finish	PR	
3544-SCAP-23-AL	6.5"/165 mm with short leg	Mill Finish	PR	
3545-SCAP-23-AL	7"/180 mm with short leg	Mill Finish	PR	
3546-SCAP-23-AL	8"/205 mm with short leg	Mill Finish	PR	
3547-SCAP-23-AL	9"/230 mm with short leg	Mill Finish	PR	
3548-SCAP-23-AL	10"/250 mm with short leg	Mill Finish	PR	

SAFETY PLATES 45°

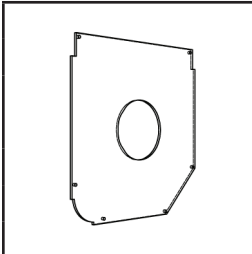
Safety Plates With 55 mm Hole for BK 45° Side Caps

	Part Number	Description	Unit
	3676-SFPL-00-ST	RV45-5.0"/125mm	PC
3677-SFPL-00-ST	RV 45-5.5"/137mm	PC	
3678-SFPL-00-ST	RV 45-6.0"/ 150mm	PC	
3679-SFPL-00-ST	RV 45-6.5"/ 165mm	PC	
3680-SFPL-00-ST	RV 45-7.0"/ 180mm	PC	
3681-SFPL-00-ST	RV 45-8.0"/ 205mm	PC	
3682-SFPL-00-ST	RV 45-9.0"/ 230mm	PC	

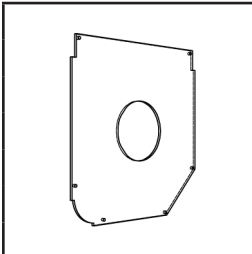
Safety Plates With 72 mm Hole for BK 45° Side Caps

	Part Number	Description	Unit
	3675-SFPL-00-ST	RV 45-5.5"/137mm	pc
3683-SFPL-00-ST	RV 45-6.0"/ 150mm	PC	
3684-SFPL-00-ST	RV 45-6.5"/ 165mm	PC	
3685-SFPL-00-ST	RV 45-7.0"/ 180mm	PC	
3686-SFPL-00-ST	RV 45-8.0"/ 205mm	PC	

Safety Plates With 3" or 3.5" Hole for Bk 45° Side Caps

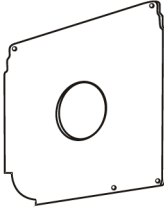
	Part Number	Description	Unit
	3687-SFPL-00-ST	RV 45/9.0"/ 230mm - 3.0" HOLE	PC
3688-SFPL-00-ST	RV 45/9.0"/ 230mm - 3.5" HOLE	PC	
3692-SFPL-00-ST	RV 45/S-10"/250mm - 3.5" HOLE	PC	
3689-SFPL-00-ST	RV 45/S-12"/300mm - 3.0" HOLE	PC	
3690-SFPL-00-ST	RV 45/S-12"/300mm - 3.5" HOLE	PC	

Safety Plates With 3" or 3.5" Hole for BK 45° Side Caps

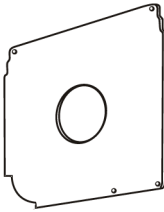
	Part Number	Description	Unit
	3693-SFPL-00-ST	RV 45/S-10"/250mm - 72mm HOLE	PC
3694-SFPL-00-ST	RV 45/S-12"/300mm - 92mm HOLE	PC	
3695-SFPL-00-ST	RV 45-8.0"/205mm - 92mm HOLE	PC	

SAFETY PLATES 90°

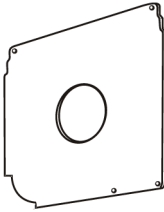
Safety Plates With 55 mm Hole For BK 90° Side Caps

	Part Number	Description	Unit
	3700-SFPL-00-ST	4.0" / 100mm	PC
	3701-SFPL-00-ST	5.0" / 125mm	PC
	3702-SFPL-00-ST	5.5" / 137mm	PC
	3703-SFPL-00-ST	6.0" / 150mm	PC
	3704-SFPL-00-ST	6.5" / 165mm	PC
	3705-SFPL-00-ST	7.0" / 180mm	PC
	3706-SFPL-00-ST	8.0" / 205mm	PC

Safety Plates With 72 mm Hole For BK 90° Side Caps

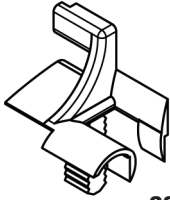
	Part Number	Description	Unit
	3713-SFPL-00-ST	6.0" / 150mm	PC
	3714-SFPL-00-ST	6.5" / 165mm	PC
	3715-SFPL-00-ST	7.0" / 180mm	PC
	3716-SFPL-00-ST	8.0" / 205mm	PC

Safety Plates with 3", 3.5" or 4" Hole For BK 90° Side Caps

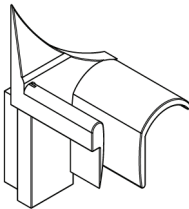
	Part Number	Description	Unit
	3717-SFPL-00-ST	9.0" / 230mm - 3.0" HOLE	PC
	3720-SFPL-00-ST	9.0" / 230mm - 3.5" HOLE	PC
	3710-SFPL-00-ST	10.0" / 250mm - 3.0" HOLE	PC
	3719-SFPL-00-ST	10.0" / 250mm - 3.5" HOLE	PC
	3718-SFPL-00-ST	9.0" / 230mm - 4.0" HOLE	PC

ENTRY GUIDES

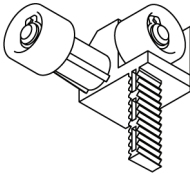
Entry Guides For Mini Systems

 3822	Part Number	Description	Color	Unit
	3810-SCAP-06-PL	11mm/BK-Nylon for Pulley System	White	PR
	3815-SCAP-22-PL	11mm/BK-Nylon for Pulley System	Dark Brown	PR
	3822-SCAP-06-PL	11mm/BK-PVC for Safety Plate System	White	PR
	3823-SCAP-22-PL	11mm/BK-PVC for Safety Plate System	Dark Brown	PR

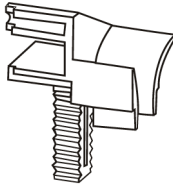
Entry Guides For Mini Systems (For Center Rail)

	Part Number	Description	Color	Unit
	3820-SCAP-06-PL	DF A3 For any Mini Mullion	White	PR


Entry Guides For Mini Systems

	Part Number	Description	Color	Unit
	3828-SCAP-06-PL	PVC Mini 22mm With Rollers for Push Pull	White	PR
	3829-SCAP-06-PL	PVC Mini 34mm With Rollers for Push Pull	White	PR

Entry Guides For Maxi Systems

	Part Number	Description	Color	Unit
	3840-SCAP-06-PL	16mm/AK-PVC	White	PR
	3845-SCAP-22-PL	16mm/AK-PVC	Dark Brown	PR
	3855-SCAP-06-PL	15mm/AK-Nylon	White	PR

Polyamide Guide Rolls

	Part Number	Description	Color	Unit
	3900-SCAP-00-PL	For BK 45-300S 12" Side Caps	Galvanized	PR

