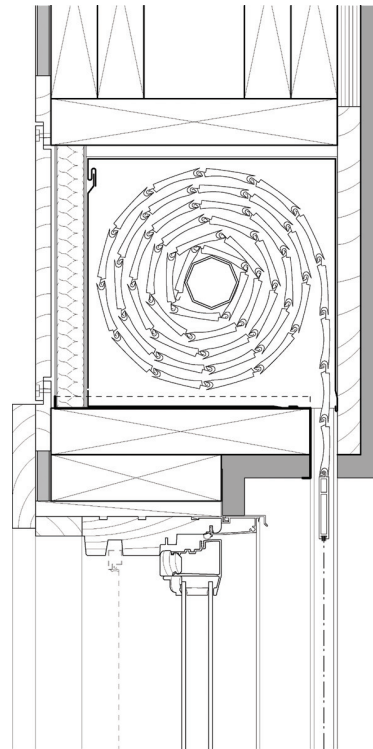


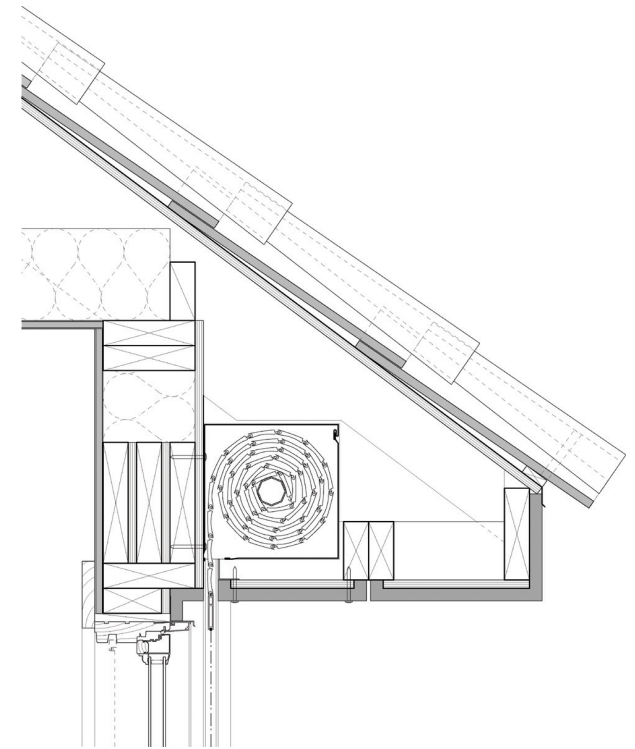
Retrofit

The most common application for pre existing buildings. The shutter is applied to the wall with appropriate mounting fasteners.



In Wall

Present a clean look by concealing the box and rails inside of the wall. Best used when shutters are integrated into the design of the building.



In Soffit

The shutter box is installed in the roof soffit space for a cleaner look. It might be necessary to cut joists for installation.